

1. CURB SHALL BE FORMED TO FULL DEPTH UNLESS OTHERWISE APPROVED.
2. ALL AREAS EXCAVATED FOR PLACEMENT OF FORMS AND CURB CONSTRUCTION SHALL BE BACKFILLED AND COMPACTED WITH PA-2A LIMESTONE.

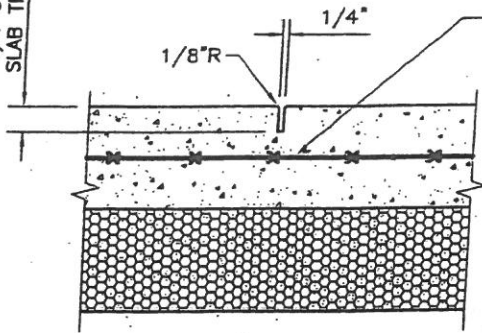
BOROUGH OF BEAVER
469 Third Street
Beaver, Pennsylvania 15009
Ph: 724.773.6700 - Fax: 724.773.6711

FRYE
ENGINEERING
211 Galley Road
Beaver, PA 15009
Ph: 724.495.7013 - Fax: 724.495.7014

BOROUGH STANDARD DETAIL

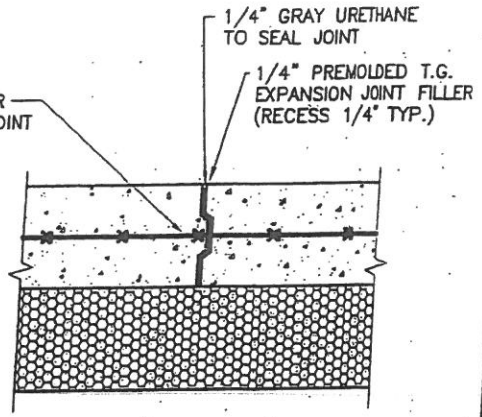
**CONCRETE
CURB**
JANUARY 2007

1/4 OF TOTAL
SLAB THICKNESS

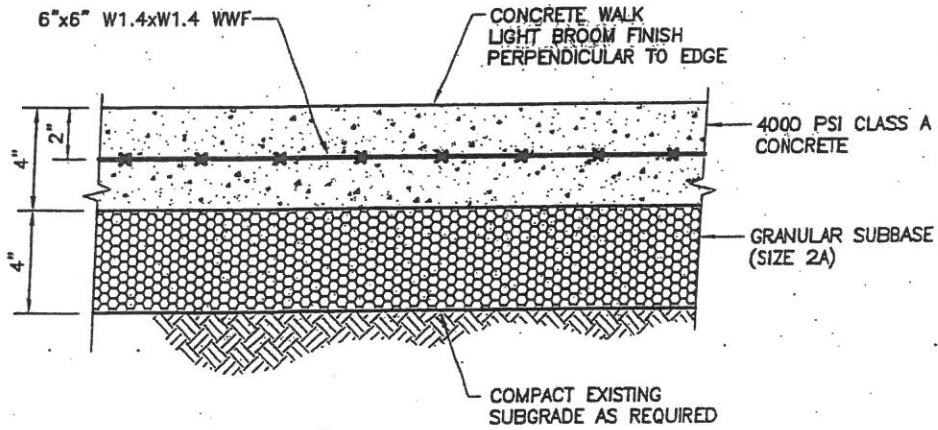


CONTROL JOINT
(SPACED EVERY 5'-7')

CUT EVERY OTHER
WIRE THROUGH JOINT



EXPANSION JOINT
(SPACED EVERY 20')



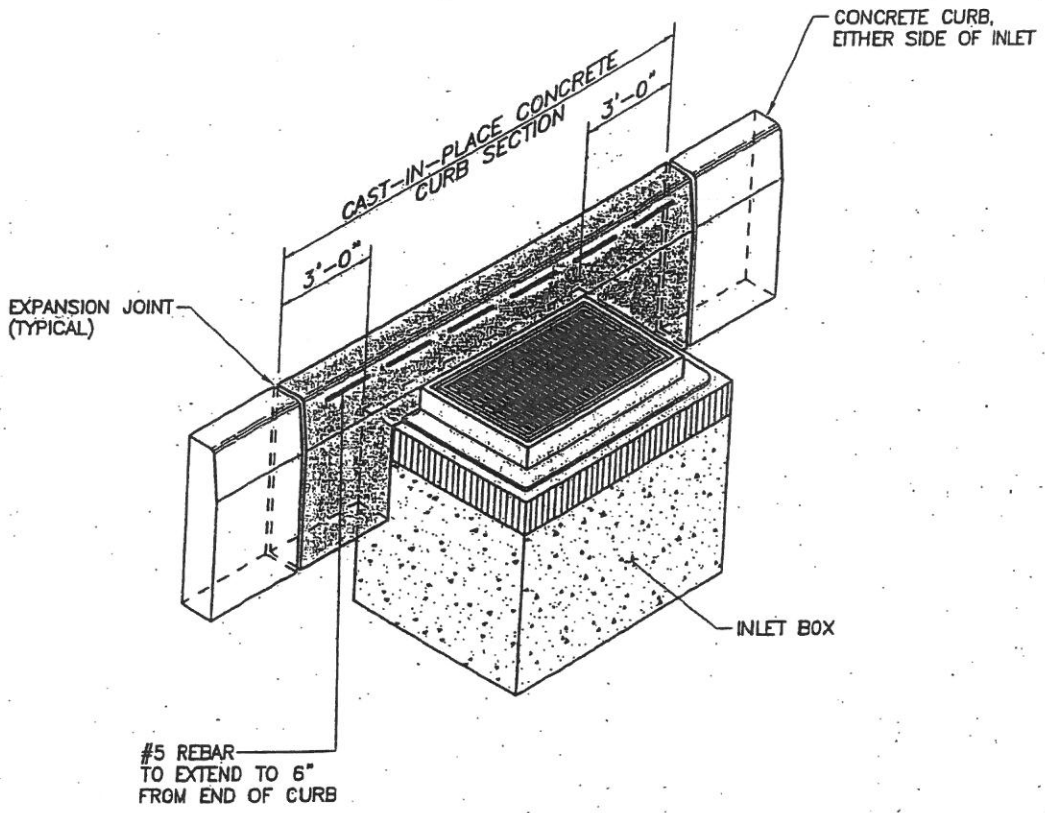
BROOM FINISH

BOROUGH OF BEAVER
469 Third Street
Beaver, Pennsylvania 15009
Ph: 724.773.6700 - Fax: 724.773.6711

FRYE
ENGINEERING
211 Gailey Road
Beaver, PA 15009
Ph: 724.495.7013 - Fax: 724.495.7014

BOROUGH STANDARD DETAIL

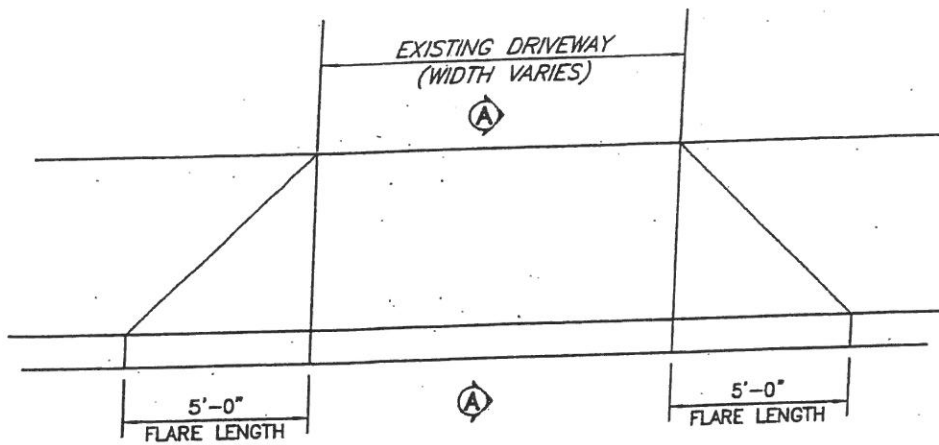
**CONCRETE
SIDEWALK**
JANUARY 2007



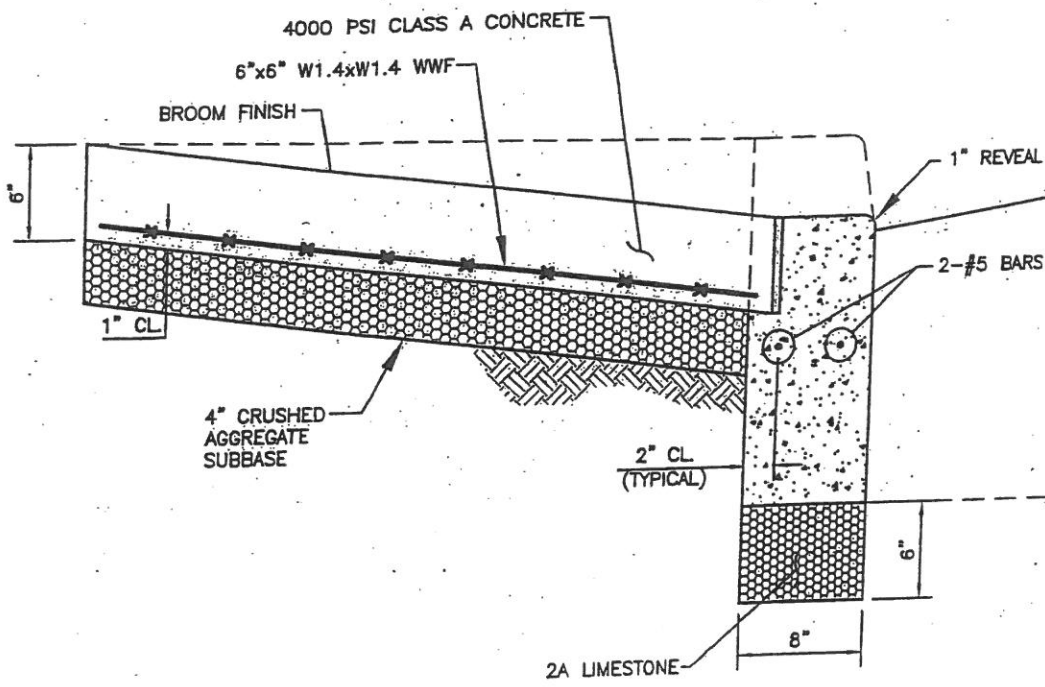
BOROUGH OF BEAVER
 469 Third Street
 Beaver, Pennsylvania 15009
 Ph: 724.773.6700 - Fax: 724.773.6711

FRYE
 ENGINEERING
 211 Galley Road
 Beaver, PA 15009
 Ph: 724.495.7013 - Fax: 724.495.7014

BOROUGH STANDARD DETAIL
**CONCRETE CURB
 AROUND INLET**
 JANUARY 2007



PLAN VIEW



SECTION A-A

BOROUGH OF BEAVER
 469 Third Street
 Beaver, Pennsylvania 15009
 Ph: 724.773.6700 - Fax: 724.773.6711

FRYE
 ENGINEERING
 211 Galley Road
 Beaver, PA 15009
 Ph: 724.495.7013 - Fax: 724.495.7014

BOROUGH STANDARD DETAIL
**DRIVEWAY ENTRANCE
 WITH SIDEWALK**
 JANUARY 2007